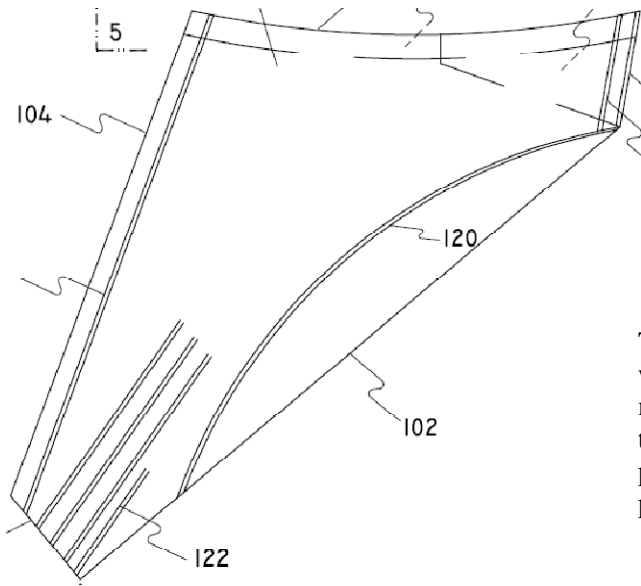


Summary of the Invention

The Magic Cone allows women to use unsanitary facilities in a sanitary way. A collapsed cone pops open into a rigid cone maintaining its shape during use, waterproof, disposable and biodegradable.



The cone is a collapsed funnel which by way of a patented arrangement of score marks when pressed on at a specific point at the bottom of the cone in its collapsed state pops open into a rigid cone which locks in place, maintaining its rigidity during use.

