

Summary of the Invention

The object of this invention is to provide a sprayer, which has simple structure and cost economically and has an adjusting device that can adjust the flow of liquids and not result in any contamination.

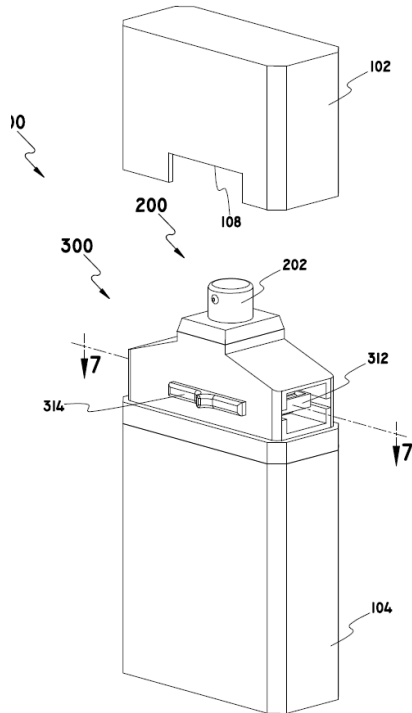


FIG. 2

One of the purposes of this invention when used as a perfume or eau de cologne sprayer is that, by means of mixing different portion of liquid from 2 containers, variant fragrances can be sprayed.

The present invention provides a sprayer, comprising a spraying mechanism, two liquid containers, a flow adjusting mechanism, and a liquid feeding member.

The spraying mechanism has a knob for activating a pump for dispensing liquid coming from an inlet to an outlet.

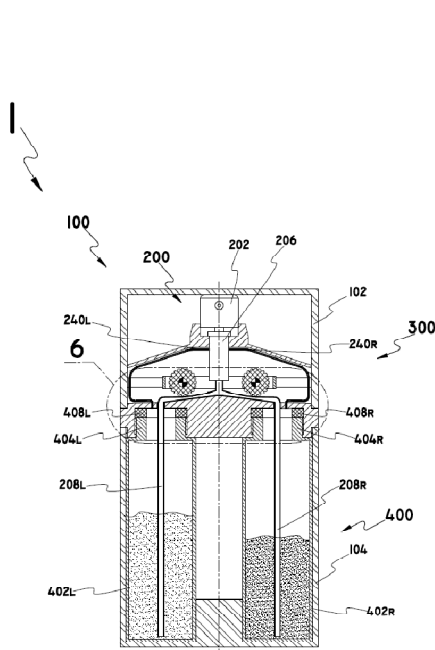


FIG. 4

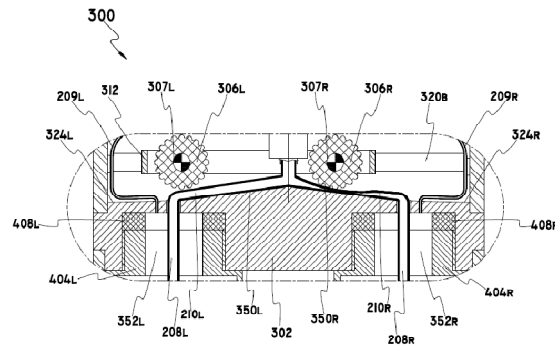


FIG. 6

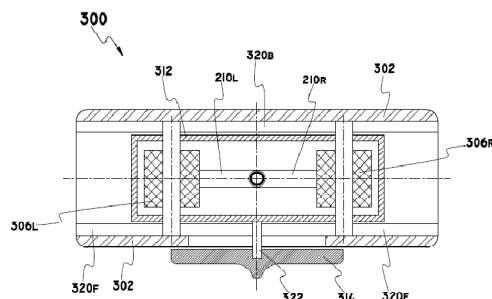


FIG. 7

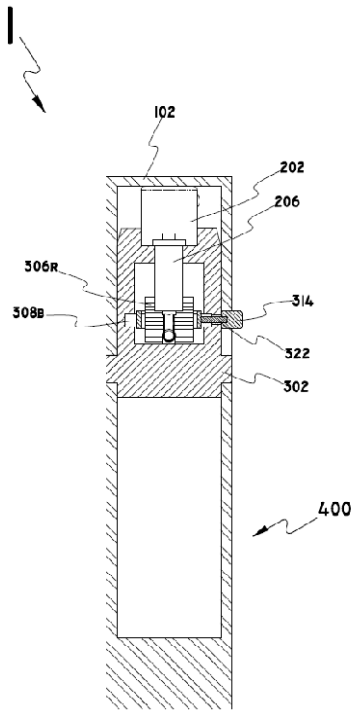


FIG. 5

The liquid feeding member has two liquid feeding tubes, one end of each of the two liquid feeding tubes is in liquid communication with two liquid containers respectively. The other end of each of the at least two liquid feeding tubes is jointed and connected to the inlet of the spraying mechanism. Each of the liquid feeding tubes has a flexible portion, the sectional area which may be changed by the external pressures.

The flow adjusting mechanism may be configured to mount outside and close to the flexible portion of each of at least two liquid feeding tubes and enable to change the sectional areas of the inside space of the at least two feeding tubes at flexible sections in such way that amount of liquid supplied from each of the two liquid containers through each of the two liquid feeding tubes is adjusted.

